



Electrolux
PROFESSIONAL

Modular Cooking Range Line
thermaline 80 - 700 mm Passthrough
open base, GN conform, 2 Sides (H2) -
H=550

ITEM # _____

MODEL # _____

NAME # _____

SIS # _____

AIA # _____



588229 (MA2BDCGOOO) Passthrough Open Base,
two-side operated, GN - H2

Short Form Specification

Item No. _____

700 mm wide open passthrough base compartment to store pots, pans, sheet pans, etc. with hygienic design and round edges. Internal frame for heavy duty sturdiness in stainless steel. Flat surface construction, easily cleanable. storage space in the base accepts GN 1/1 containers. IPX5 water resistant certification. Configuration: Two-side operated freestanding base, hygienic class H2.

Main Features

- All major components may be easily accessed from the front.
- Unit to be placed below modular top appliances to store pots, pans, sheet pans, etc.

Construction

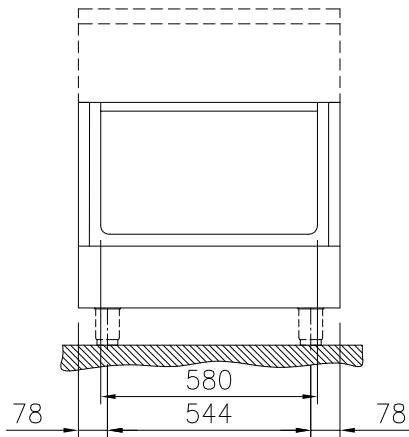
- IPX5 water resistance certification.
- Hygienic design of the open base compartment with large round edges.
- 2 mm top in 1.4301 (AISI 304).
- Flat surface construction with minimal hidden areas to easily clean all surfaces
- Storage space in the base of the appliance that can accept GN1/1 containers.
- Internal frame for heavy duty sturdiness in stainless steel.

APPROVAL: _____

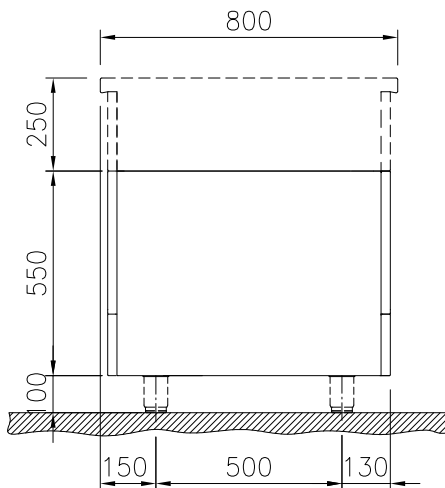


Experience the Excellence
www.electroluxprofessional.com

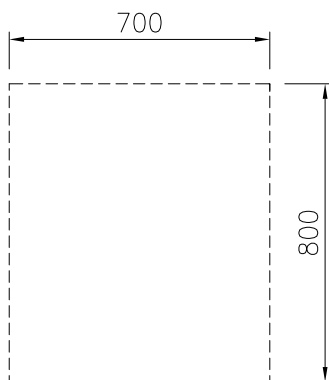
Front



Side



Top


Key Information:

External dimensions, Width:	
588229 (MA2BDCGOO0)	700 mm
External dimensions, Depth:	800 mm
External dimensions, Height:	550 mm
Cupboard Cavity Dimensions (width):	580 mm
Cupboard Cavity Dimensions (height):	330 mm
Cupboard Cavity Dimensions (depth):	760 mm
Net weight:	21 kg

Optional Accessories

- Stainless steel side panel, 800x800mm, freestanding PNC 912508
- Stainless steel front kicking strip, 700mm width PNC 912597
- Stainless steel side kicking strips left and right, freestanding, 800mm width PNC 912619
- Stainless steel plinth, freestanding, 700mm width PNC 912824
- Perforated shelf for warming cabinets and cupboard bases (one-side operated TL80-85-90 and two-side operated for TL80) PNC 913234
- Side reinforced panel only in combination with side shelf, for freestanding units PNC 913257
- Shelf fixation for TL80-85-90 one-side operated, TL80 two-side operated PNC 913281
- Stainless steel dividing panel, 800x800mm, (it should only be used between Electrolux Professional thermaline Modular 80 and thermaline C80) PNC 913669
- Stainless steel side panel, 800x800mm, flush-fitting (it should only be used against the wall, against a niche and in between Electrolux Professional thermaline and ProThermetic appliances and external appliances - provided that these have at least the same dimensions) PNC 913685